

结构特点 Design features

- 内装、单端面、金属波纹管、平衡型、旋转式密封；
 - 紧定螺钉传动结构，任意旋向，压力均匀，结构简单、紧凑，安装方便，泄漏点少，密封性能可靠；
 - 安装尺寸符合 DIN24960, ISO3069及GB6556标准。
-
- Internally mounted, single face, metal bellows, balanced, rotary type seal.
 - Driven by screws, any rotation direction, compact construction. It can be mounted conveniently.
 - Conform to the standard of DIN24960, ISO3069 and GB6556.

材料 Materials(to DIN24960)

- 旋转环 Rotary Ring: A、U12、U22、Q12、Q22
- 静止环 Stationary Ring: U1、U2、Q1、Q2
- 辅助密封 Auxiliary Seal: P、X、E、V、M1
- 波纹管 Bellows: G1、Y、M
- 弹簧及其他结构件材料 Spring and Other Parts: F、G、T4、M



适用范围 Operating limits

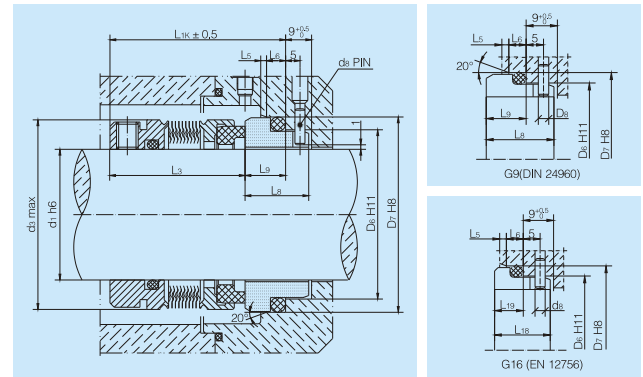
- 压力 Pressure: 真空(Vacuum)~2.5MPa
- 温度 Temperature: -40~200°C
- 线速度 Speeds: ≤20m/sec
- 粘度 Viscosity: ≤1.0Pa.s(1000cp)软对硬(Soft VS Hard)
≤3.5Pa.s(3500cp)硬对硬(Hard VS Hard)

用途 Applications

用于化工、石油化工、炼油、制冷、制药、造纸、给排水、污水处理等工业的泵类、反应釜、压缩机等类似的旋转轴密封。Used in all types of rotating equipment, pumps, mixers, agitators and compressors. To suit industries such as general chemical, oil refining, petrochemical, pharmaceutical, food processing, pulp and paper, and waste water treatment.

介质 Medium

油、水、盐、有机溶剂及其它弱腐蚀性溶液。
Oil, water, salt, organic solvents and other weak corrosive fluid.



型号 Model	d1	d3	D6	D7	d8	L1k	L3	L5	L6	L8	L9	L18	L19	G9seat	G16seat
CN MB85N-18	18	32.0	27	33	3	37.5	30.5	2.0	5	14.0	11.5	15.0	7.0		●
CN MB85N-20	20	33.5	29	35	3	37.5	30.5	2.0	5	14.0	11.5	15.0	7.0		●
CN MB85N-22	22	36.5	31	37	3	37.5	30.5	2.0	5	14.0	11.5	15.0	7.0		●
CN MB85N-24	24	39.0	33	39	3	40.0	28.5	2.0	5	19.5	11.5	15.0	7.0	●	
CN MB85N-25	25	39.6	34	40	3	40.0	28.5	2.0	5	19.5	11.5	15.0	7.0	●	
CN MB85N-28	28	42.8	37	43	3	42.5	31.0	2.0	5	19.5	11.5	15.0	7.0	●	
CN MB85N-30	30	45.0	39	45	3	42.5	31.0	2.0	5	19.5	11.5	15.0	7.0	●	
CN MB85N-32	32	46.0	42	48	3	42.5	31.0	2.0	5	19.5	11.5	15.0	7.0	●	
CN MB85N-33	33	48.0	42	48	3	42.5	31.0	2.0	5	19.5	11.5	15.0	7.0	●	
CN MB85N-35	35	49.2	44	50	3	42.5	31.0	2.0	5	19.5	11.5	15.0	7.0	●	
CN MB85N-38	38	52.3	49	56	4	45.0	31.0	2.0	6	22.0	14.0	16.0	8.0	●	
CN MB85N-40	40	55.5	51	58	4	45.0	31.0	2.0	6	22.0	14.0	16.0	8.0	●	
CN MB85N-43	43	57.5	54	61	4	45.0	31.0	2.0	6	22.0	14.0	16.0	8.0	●	
CN MB85N-45	45	58.7	56	63	4	45.0	31.0	2.0	6	22.0	14.0	16.0	8.0	●	
CN MB85N-48	48	61.9	59	66	4	45.0	31.0	2.0	6	22.0	14.0	16.0	8.0	●	
CN MB85N-50	50	65.0	62	70	4	47.5	32.5	2.5	6	23.0	15.0	17.0	9.5	●	
CN MB85N-53	53	68.2	65	73	4	47.5	32.5	2.5	6	23.0	15.0	17.0	9.5	●	
CN MB85N-55	55	70.0	67	75	4	47.5	32.5	2.5	6	23.0	15.0	17.0	9.5	●	
CN MB85N-58	58	71.7	70	78	4	52.5	37.5	2.5	6	23.0	15.0	18.0	10.5	●	
CN MB85N-60	60	74.6	72	80	4	52.5	37.5	2.5	6	23.0	15.0	18.0	10.5	●	
CN MB85N-63	63	79.0	75	83	4	52.5	37.5	2.5	6	23.0	15.0	18.0	10.5	●	
CN MB85N-65	65	84.1	77	85	4	52.5	37.5	2.5	6	23.0	15.0	18.0	10.5	●	
CN MB85N-68	68	87.3	81	90	4	52.5	34.5	2.5	7	26.0	18.0	18.5	11.0	●	
CN MB85N-70	70	87.3	83	92	4	60.0	42.0	2.5	7	26.0	18.0	19.0	11.5	●	
CN MB85N-75	75	95.0	88	97	4	60.0	42.0	2.5	7	26.0	18.0	19.0	11.5	●	
CN MB85N-80	80	98.4	95	105	4	60.0	41.8	3.0	7	26.2	18.2	19.0	11.5	●	
CN MB85N-85	85	104.7	100	110	4	60.0	41.8	3.0	7	26.2	18.2	19.0	11.5	●	
CN MB85N-90	90	111.0	105	115	4	65.0	46.8	3.0	7	26.2	18.2	20.5	13.0	●	
CN MB85N-95	95	114.0	110	120	4	65.0	47.8	3.0	7	25.2	17.2	20.5	13.0	●	
CN MB85N-100	100	117.4	115	125	4	65.0	47.8	3.0	7	25.2	17.2	20.5	13.0	●	